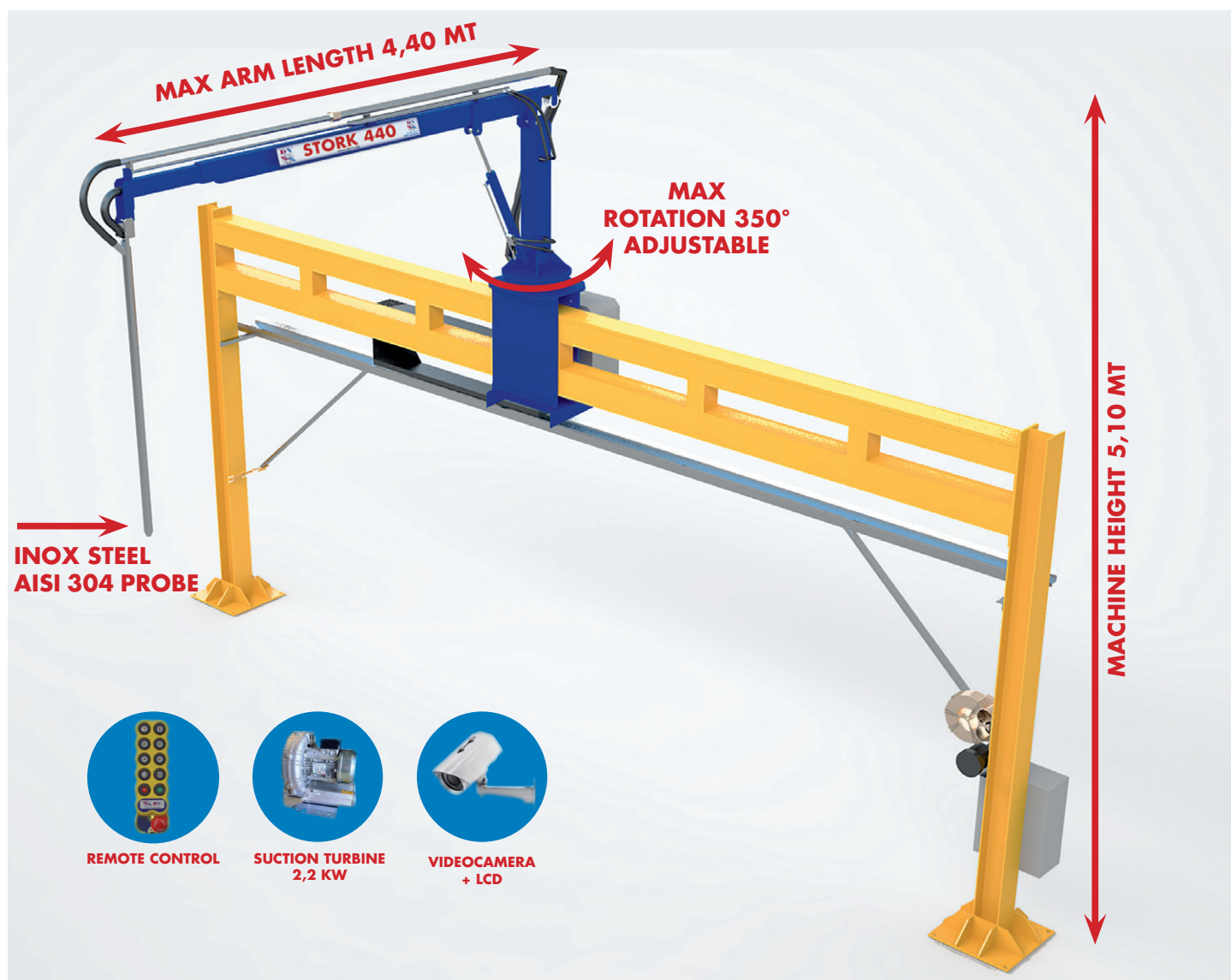




... SINCE 1987
GRAIN SAMPLERS

RAIL SAMPLER

**FULLY
EQUIPPED**



STORK 440 RAIL

PRE-ASSEMBLED EASY TO INSTALL

SUITABLE FOR ANY KIND OF CEREALS AND FLOURS

HOMOGENEOUS AND TRUE SAMPLES

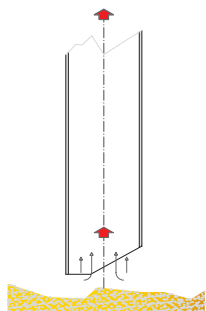
DELIVERS THE SAMPLES UP TO 100 METERS



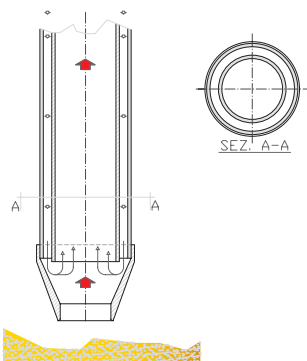
33080 Cusano di Zoppola - Via E. Ellero, 9 - Pordenone - ITALY
tel. +39 0434 574192 r.a. - fax +39 0434 977070
www.dvsrl.com - info@dvsrl.com

THREE TYPES OF PROBE AVAILABLE

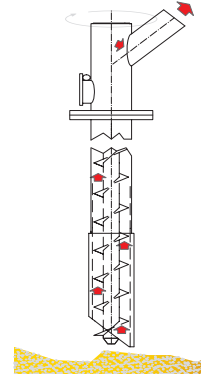
SINGLE SUCTION



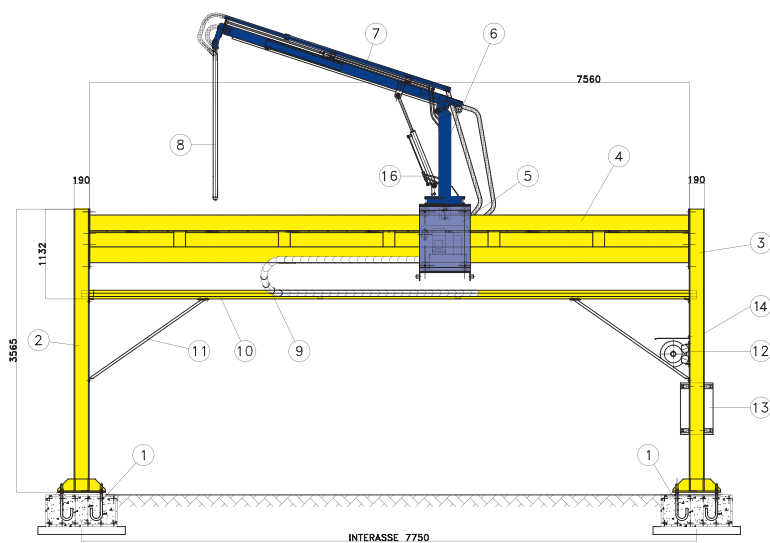
DOUBLE SUCTION



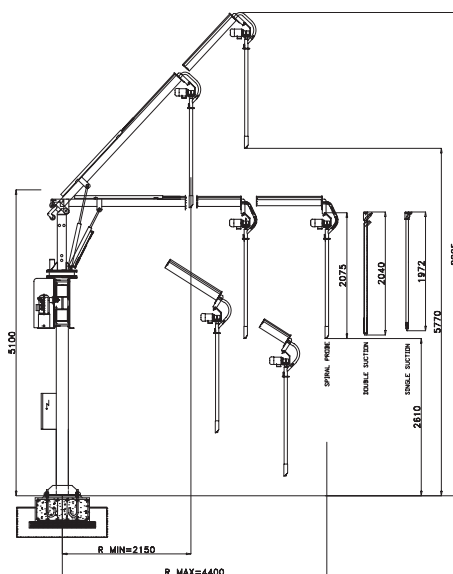
SPIRAL PROBE



DIMENSIONS AND SPECIFICATIONS



- | | |
|-----------------------------|---|
| 1. Metal frame | 10. Cable carrier sliding support |
| 2. Upright rh | 11. Diagonal reinforcement |
| 3. Upright lh | 12. Three-phase suction turbine |
| 4. Binary support | 13. Electrical cabinet and control keyboard |
| 5. Translation cart | 14. Sampler quantity regulation valve |
| 6. Rotating vertical column | 15. Hydraulic unit |
| 7. Telescopic arm | 16. Shut off and speed control valve |
| 8. .Inox steel probe | 17. Delivery hopper |
| 9. Cable carrier and hoses | 18. Suction unit protection filter |



POWER SUPPLY

400 VAC 3P + N + PE 50 Hz

SUCTION TURBINE

THREE PHASE 2,2 KW

HYDRAULIC UNIT

1,5 KW

SHIPPING WEIGHT

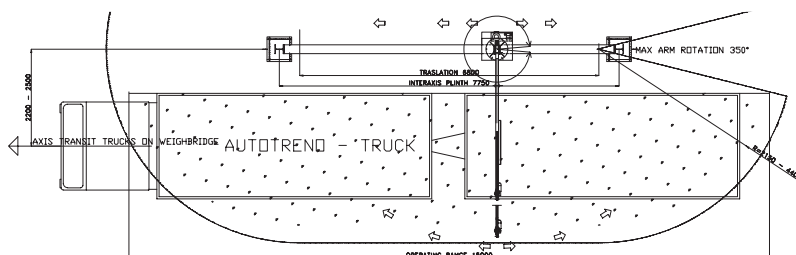
1750 KG

MAX ROTATION

350°

EU CERTIFICATION

- UNI EN ISO 24333-2010
- UNI EN ISO 12100-1:2009
- UNI EN ISO 13857 - 13850
- UNI EN 349-547-999-983 • 2006/42/CE
- 2006/95/CEE • 20447108/CE



www.grainsamplers.com

... SINCE 1987 GRAIN SAMPLERS

33080 Cusano di Zoppola - Via E. Ellero, 9 - Pordenone - ITALY
tel. +39 0434 574192 r.a. - fax +39 0434 977070

www.dvsrl.com - info@dvsrl.com